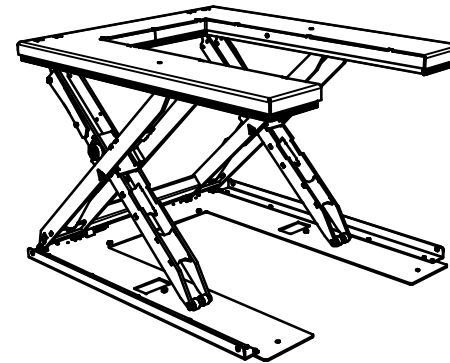
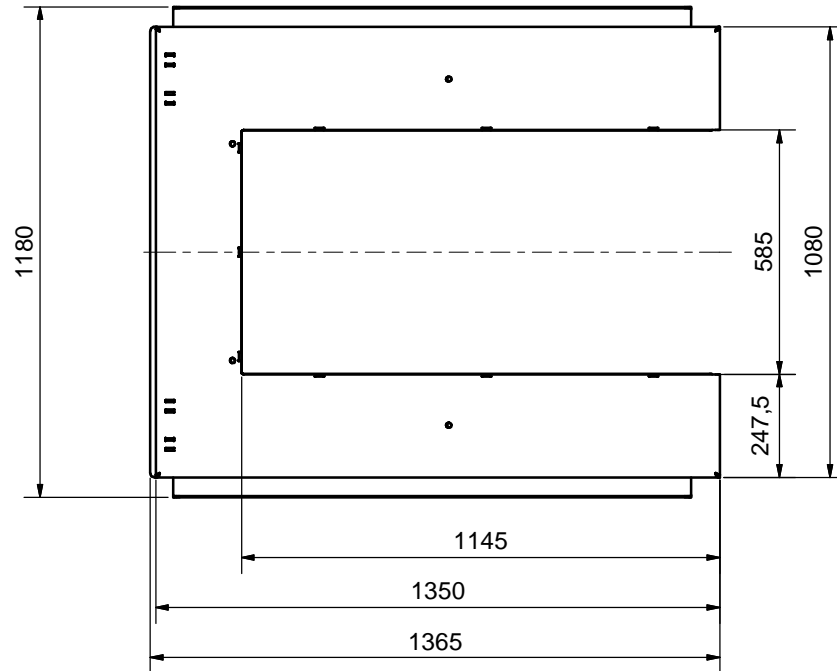
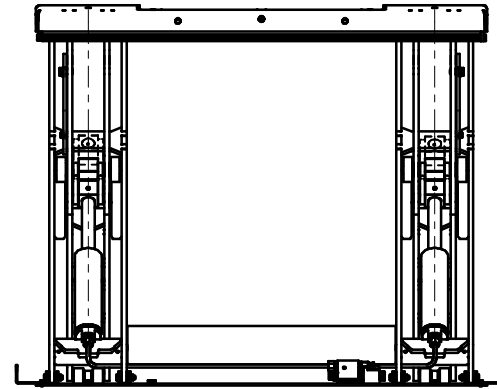
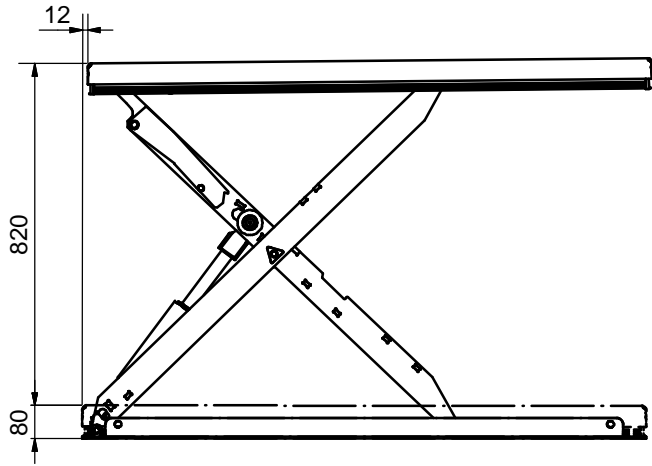



This document must not be copied without our written permission, and the contents thereof must not be imparted to a third party nor be used for any unauthorized purpose. Contravention will be prosecuted.



TUL 1000 Sammanställning		Drawn	PERGR	Date	2009-06-08
		Scale	1:12	Est. weight	N/A
		Document kind			
		Konstruktionsritning			
 General tolerances for dimensions without indication according to ISO 2768-m		System		Drawing no	
		Inventor		Revision	
		Sheet size		601166	
		A3		-	